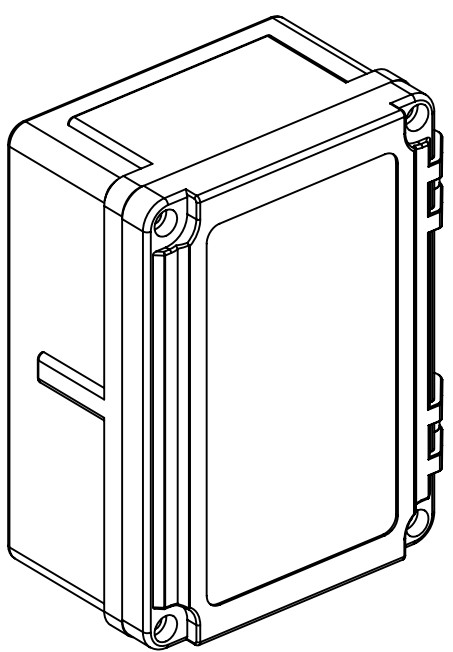
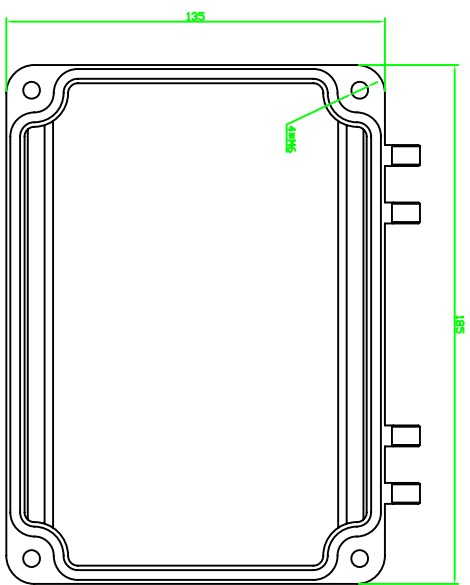
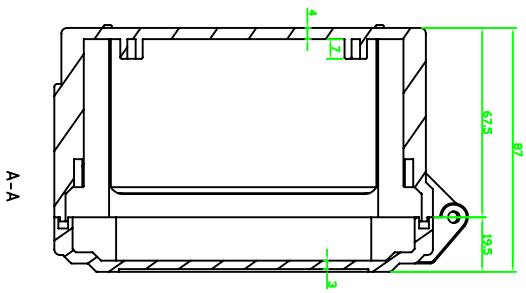
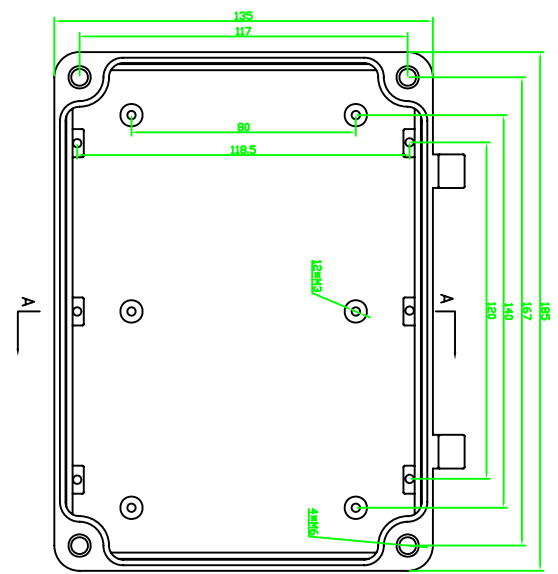


REVISION RECORD				
REV	ECD	DESCRIPTION	DRFT	CHKD



TOLERANCES EXCEPT AS NOTED		TOLERANCES EXCEPT AS NOTED	
MM	(INCHES)	MM	(INCHES)
0.1 ± 0.03	±	0.1 ± 0.03	±
0.00 ± 0.02	±	0.00 ± 0.02	±
0.00 ± 0.01	±	0.00 ± 0.01	±

ANGLES ± 5°		FIRST ANGLE PROJECTION	
-------------	--	------------------------	--

DRFTD	DATE	DRFTD	DATE
CHKD	DATE	CHKD	DATE
MFD	DATE	MFD	DATE
APPVL	DATE	APPVL	DATE

MATERIAL	AL
QTY	1
FINISH	
SCALE	1:1

埃弗勒斯 <b>EVEREST</b> WWW.EVERESTCASE.COM		埃弗勒斯 <b>EVEREST</b> WWW.EVERESTCASE.COM	
TITLE		TITLE	
AW045		AW045	
DRAWING NO. AW045		DRAWING NO. AW045	
/PART NO. 00		/PART NO. 00	
SIZE	REV	SIZE	REV
A4		A4	
DD NOT SCALE DRAWING		DD NOT SCALE DRAWING	
SHEET 1		SHEET 1	
OF 1		OF 1	