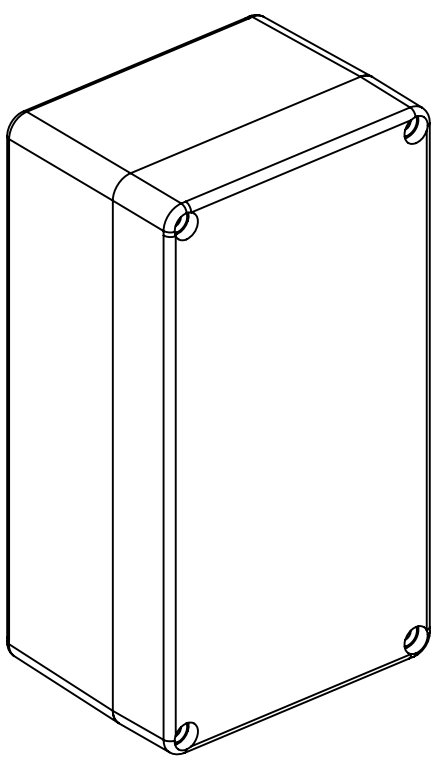
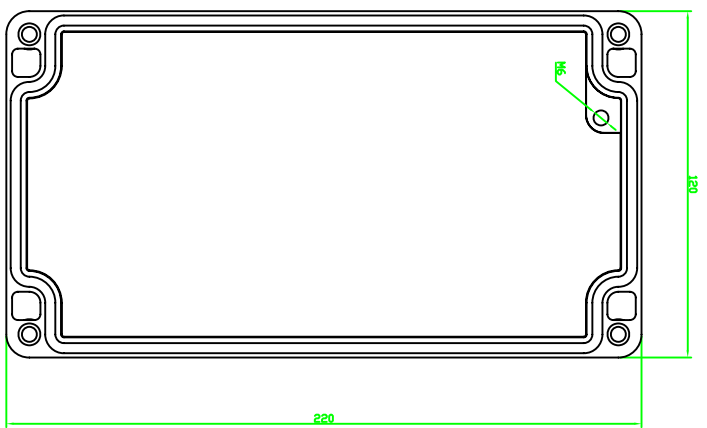
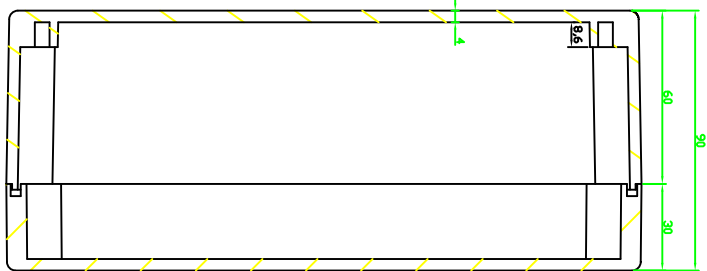
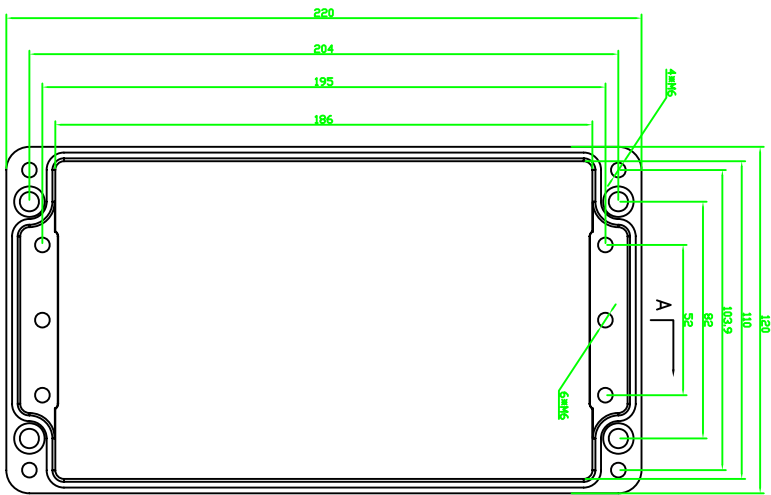


REVISION RECORD				
REV	ECD	DESCRIPTION	DRFT	CHKD



A-A

A-A

DETACHED LISTS			
MM	(INCH)	MM	(INCH)
0.1 ± 0.3		±	
0.05 ± 0.2		±	
0.00 ± 0.1		±	
TOLERANCES EXCEPT AS NOTED			
MM		±	
0.1 ± 0.3		±	
0.05 ± 0.2		±	
0.00 ± 0.1		±	
ANGLES ± 5°			
FIRST ANGLE PROJECTION			
DRFTD	DATE	DRFT	DATE
CHKD	DATE	CHKD	DATE
MFD	DATE	MFD	DATE
APVVL	DATE	APVVL	DATE
MATERIAL: AL			
QTY: 1			
FINISH:			
SCALE: 1:1			
DRAWING NO. AW056			
/PART NO. 00			
DD NOT SCALE DRAWING			
SHEET 1 OF 1			

埃弗勒斯
EVEREST
WWW.EVERESTCASE.COM

TITLE
AW056

SIZE
A4
REV