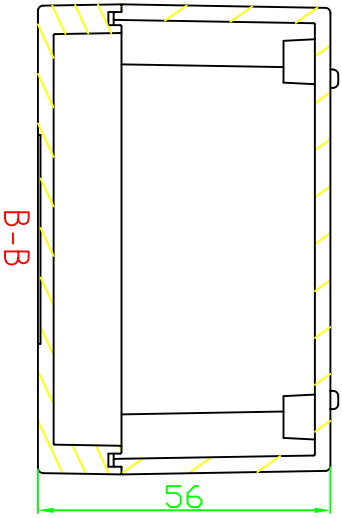
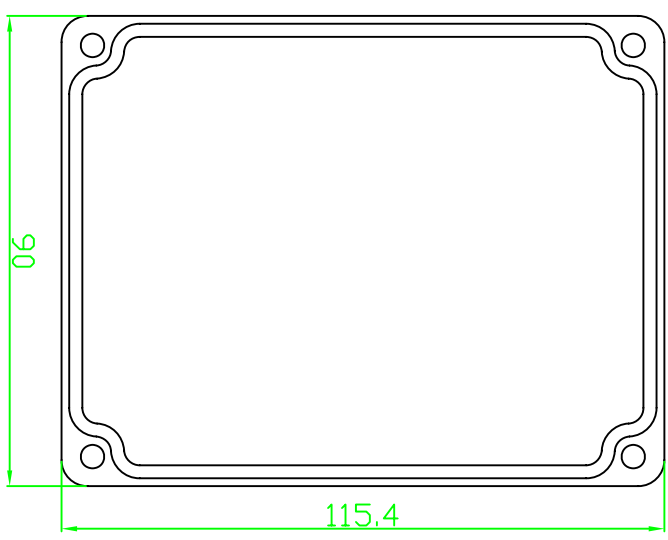
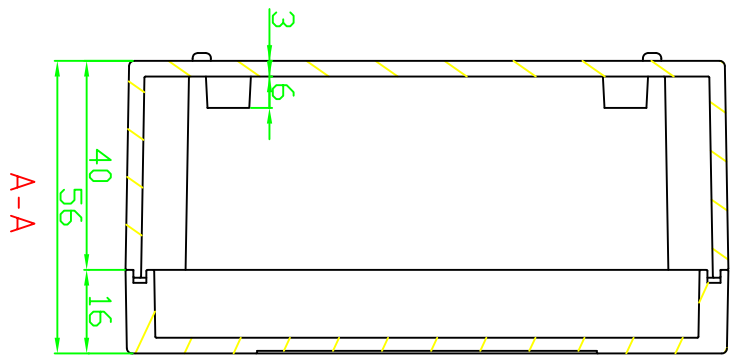
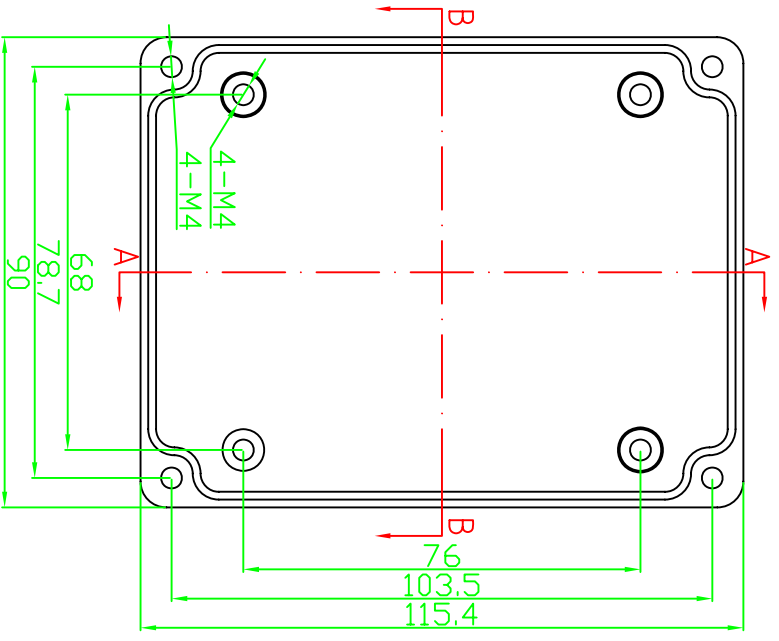


REVISION RECORD			
REV	ECD	DESCRIPTION	DRFT
			CHKD



DETACHED LISTS			
 FIRST ANGLE PROJECTION	TOLERANCES EXCEPT AS NOTED MM .1 ± 0.3 .00 ± 0.2 .000 ± 0.1	ANGLE ± 5° ± ± ±	NAME: APTON DATE: 12/04/2014
DRAWN: APTON CHECKED:	MATERIAL: AL QTY: 1	TITLE: AWW094	EVEREST WWW.EVERESTCASE.COM
FINISH:	DRAWING NO: AWW094 /PART NO: 00	DD NOT SCALE DRAWING	SIZE: A4 REV:
SCALE: 1:1	SHEET 1 OF 1	SHEET 1 OF 1	SHEET 1 OF 1