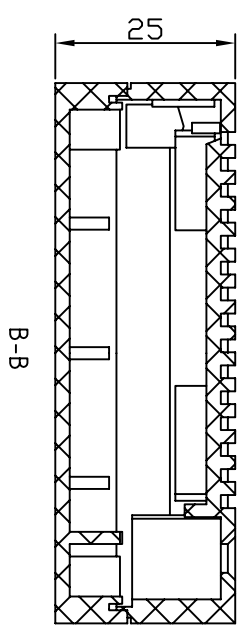
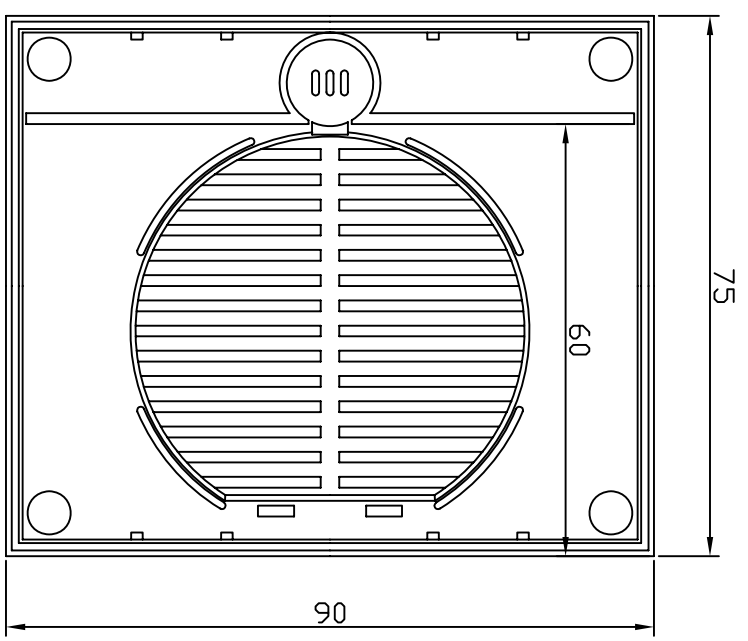
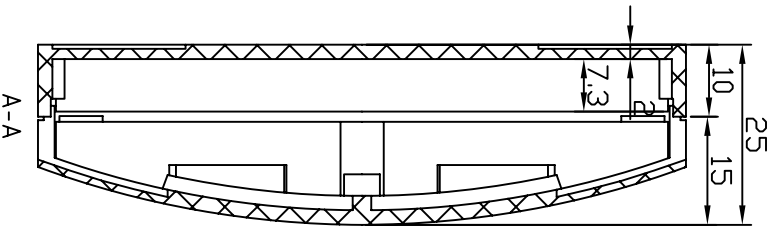
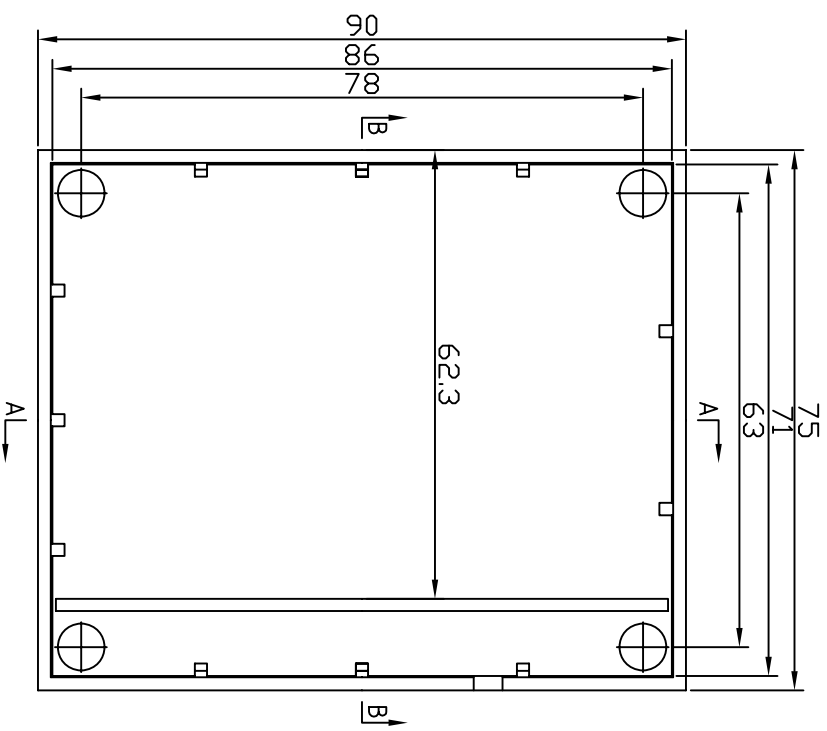


REVISION RECORD				
REV	ECO	DESCRIPTION	DRFT	CHKD



DETACHED LISTS		DATE	DATE	DATE	DATE
MM	(INCH)	DRFT	CHKD	MFD	APPVL
0 ± 0.3	±	DATE	DATE	DATE	DATE
.00 ± 0.02	±	DATE	DATE	DATE	DATE
0.00 ± 0.01	±	DATE	DATE	DATE	DATE
ANGLES ± 5°		MATERIAL: ABS			
THIRD ANGLE PROJECTION		QTY: 1			
FINISH:		DRAWING NO. PC017			
SCALE: 1:1		/PART NO. 00			
		DD NOT SCALE DRAWING			
		SHEET 1 OF 1			

**埃弗勒斯**  
EVEREST  
WWW.EVERESTCASE.COM

TITLE  
**PC017**

SIZE  
A4  
REV