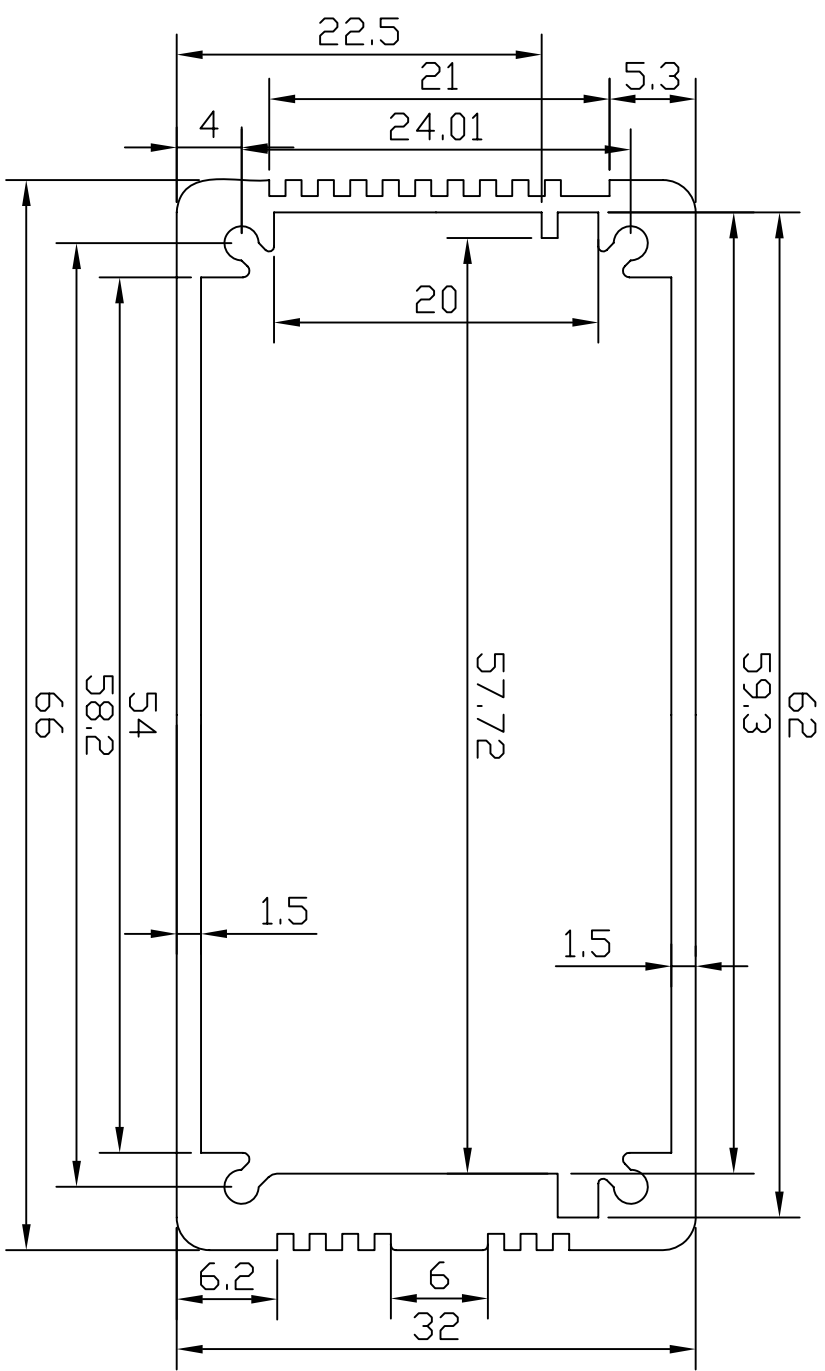


REVISION RECORD				
REV	ECD	DESCRIPTION	DRFT	CHKD



DETACHED LISTS		DATE	DATE	DATE	DATE
DRFTD	CHKD	DRFTD	CHKD	DRFTD	CHKD
MM	INCHES	MM	INCHES	MM	INCHES
TOLERANCES EXCEPT AS NOTED					
±	±	±	±	±	±
0.03	0.02	0.01	0.01	0.01	0.01
ANGLES ± 5°					
MATERIAL: AL					
FINISH: QT'Y 1					
SCALE: 1:1					
THIRD ANGLE PROJECTION					
DRAWING NO. AEH028					
/PART NO. 00					
DID NOT SCALE DRAWING					
SHEET 1 OF 1					

埃弗勒斯
EVEREST
WWW.EVERESTCASE.COM

AEH028

SIZE
A4
REV