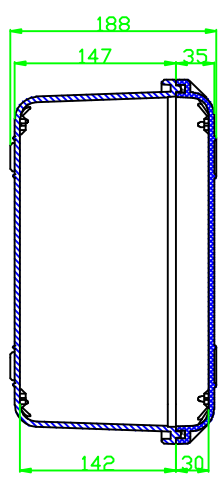
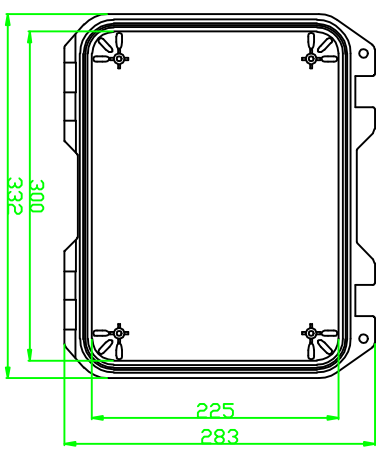
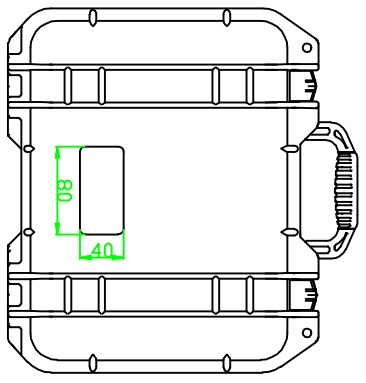
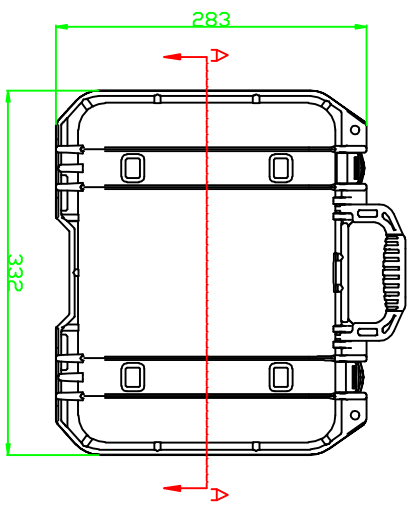
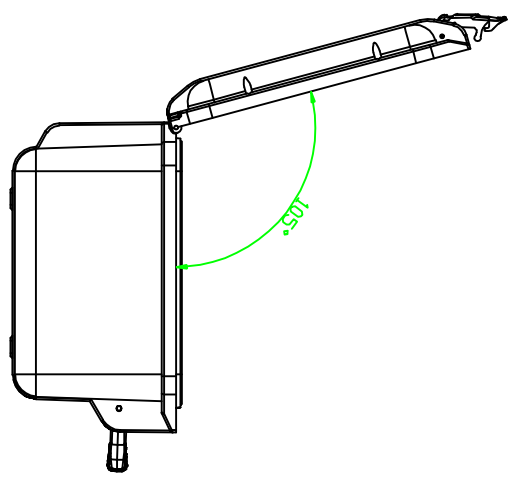
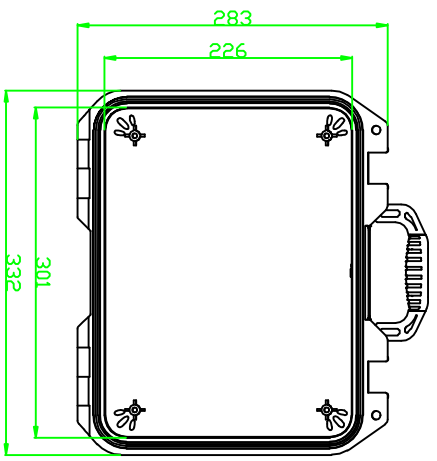


REVISION RECORD				
REV	ECD	DESCRIPTION	DRFT	CHKD



A-A



DETACHED LISTS		NAME		DATE	
 FIRST ANGLE PROJECTION	 N	DRAWN	NAME	06/01/2017	
TOLERANCES EXCEPT AS NOTED ALL TOLERANCES IT13		CHECKED	JOKE		
FROM TOLERANCES +/- 0.5mm CNC TOLERANCES +/- 0.3mm		ENG APPR			
MATERIAL : PP		QTY :	1		
FINISH :					
SCALE : 1:1					
DRX EVEREST WWW.EVERESTCASE.COM					
TITLE : RPC1319					
DRAWING NO. RPC1319		SIZE : A4			
/PART NO. 00		REV :			
DID NOT SCALE DRAWING		SHEET 1		OF 1	