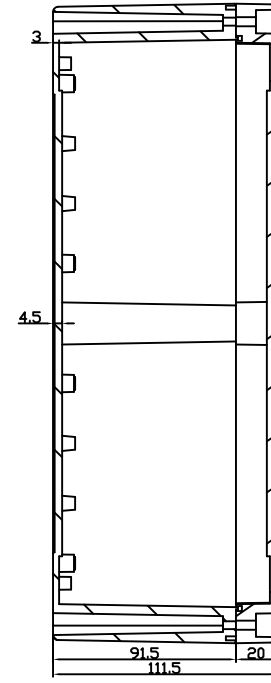
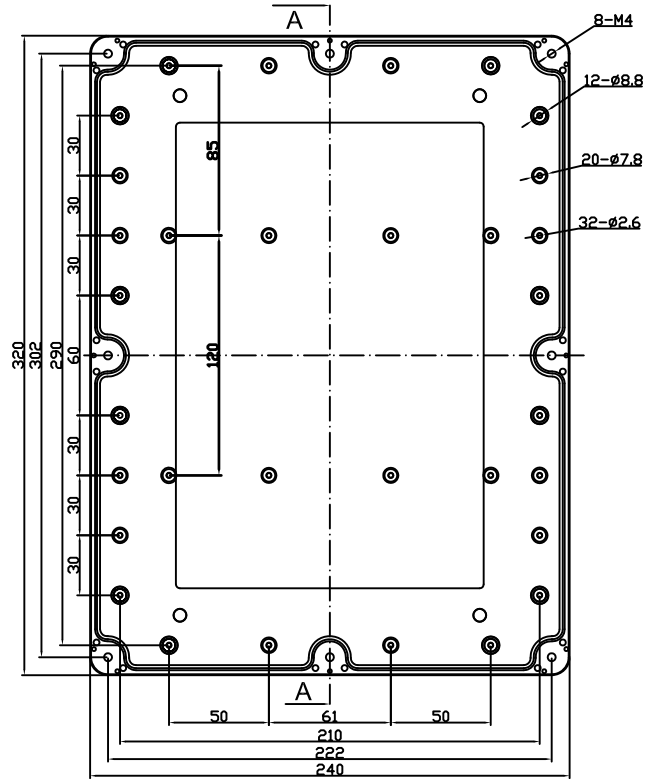
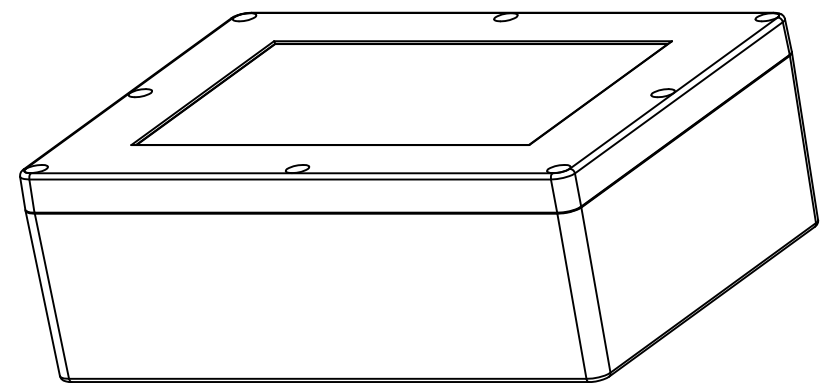
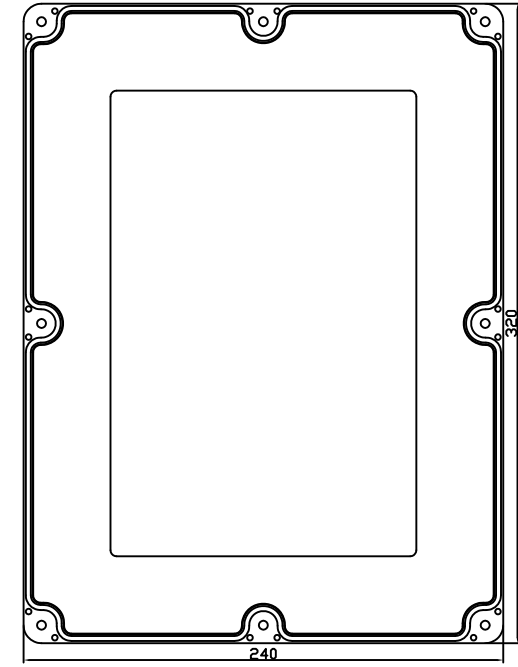


REVISION RECORD				
REV	ECD	DESCRIPTION	DRFT	CHKD



A-A



DETACHED LISTS			DRAWN	NAME	DATE		<b>EVEREST</b> WWW.EVERESTCASE.COM
	TOLERANCES EXCEPT AS NOTED		CHECKED	Kelvin	03/05/2015		
	MM	±	ENG APPR.				
	.0 ± 0.3	±	MATERIAL : ABS		TITLE		
.00 ± 0.2	±	QT'Y :		PW025			
.000 ± 0.1	±	FINISH:		DRAWING NO. PW025			
ANGLES ± 5°		SCALE : 1:1		/PART NO. 00		SIZE	REV
		FIRST ANGLE PROJECTION		DO NOT SCALE DRAWING		A4	
						SHEET 1	OF 1