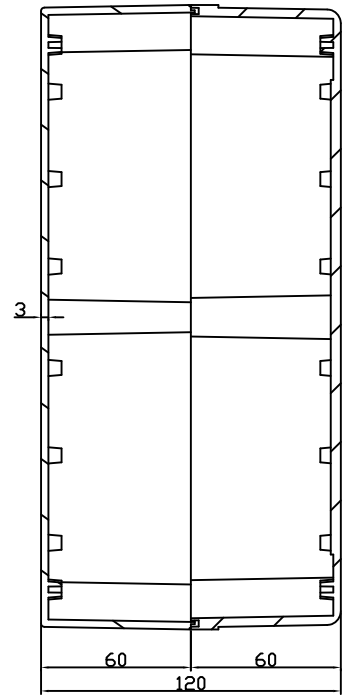
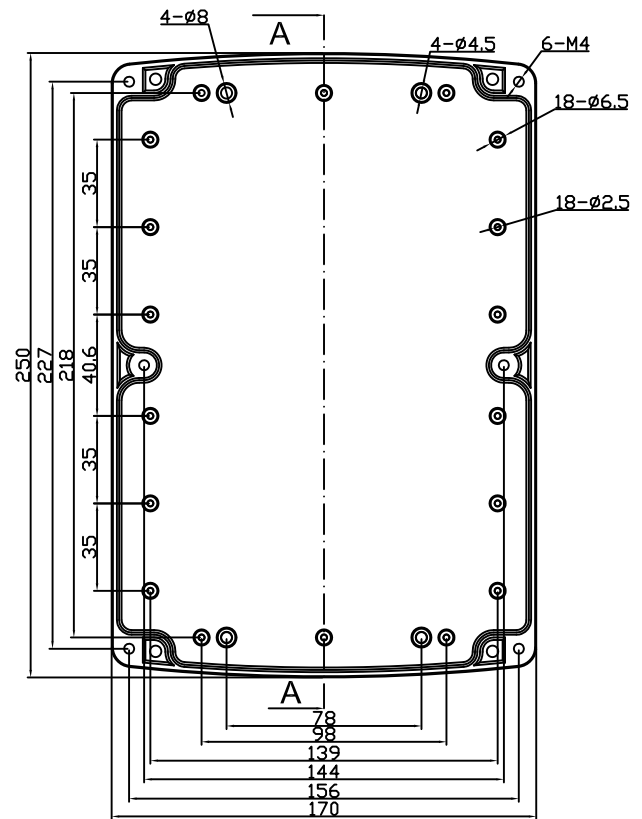
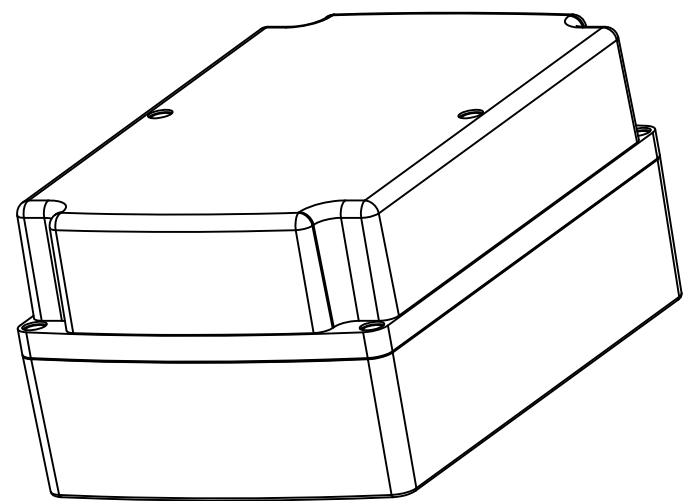
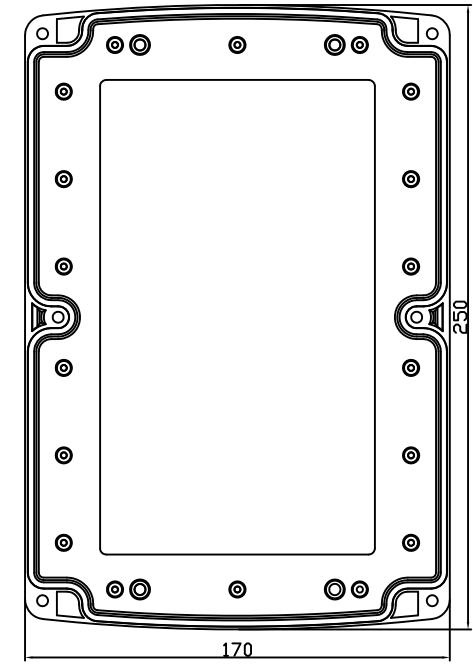


REVISION RECORD				
REV	ECD	DESCRIPTION	DRFT	CHKD



A-A



DETACHED LISTS			DRAWN	NAME	DATE		EVEREST WWW.EVERESTCASE.COM		
	TOLERANCES EXCEPT AS NOTED		KEVIN	03/05/2015					
	MM		CHECKED				TITLE		
	.0 ± 0.3	±	ENG APPR.				PW039		
.00 ± 0.2	±	MATERIAL : ABS			DRAWING NO. PW039		SIZE	REV	
.000 ± 0.1	±	QT'Y :			/PART NO. 00		A4		
ANGLES ± 5°		FINISH:			DO NOT SCALE DRAWING		SHEET 1	OF 1	
		SCALE : 1:1							