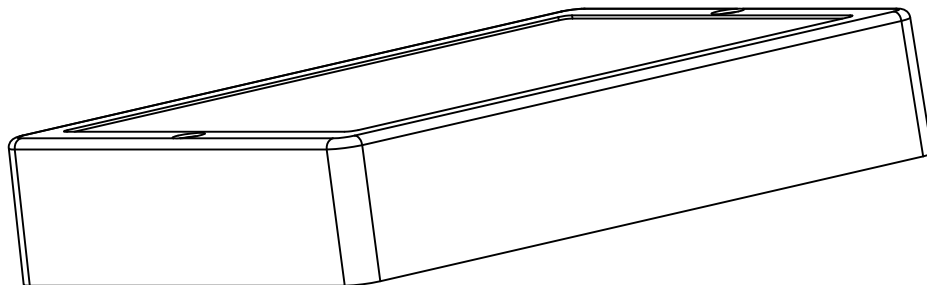
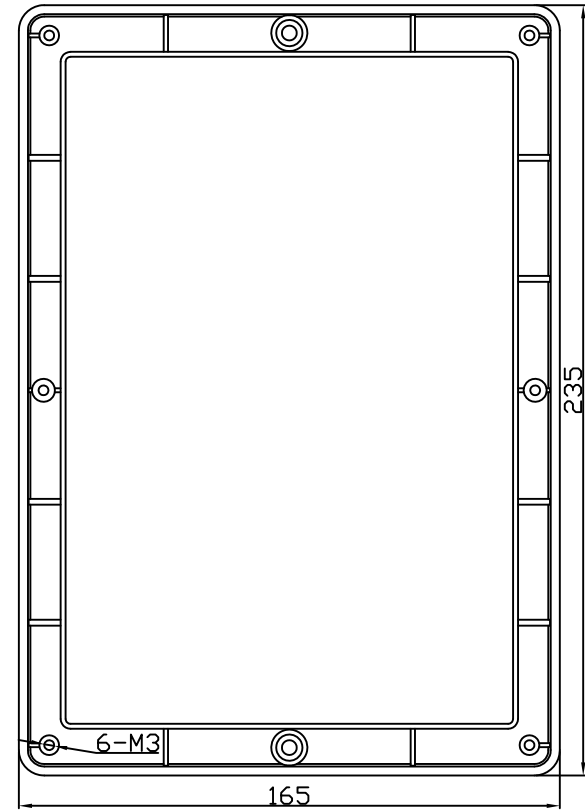
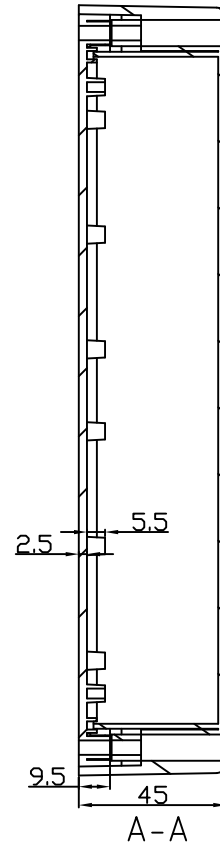
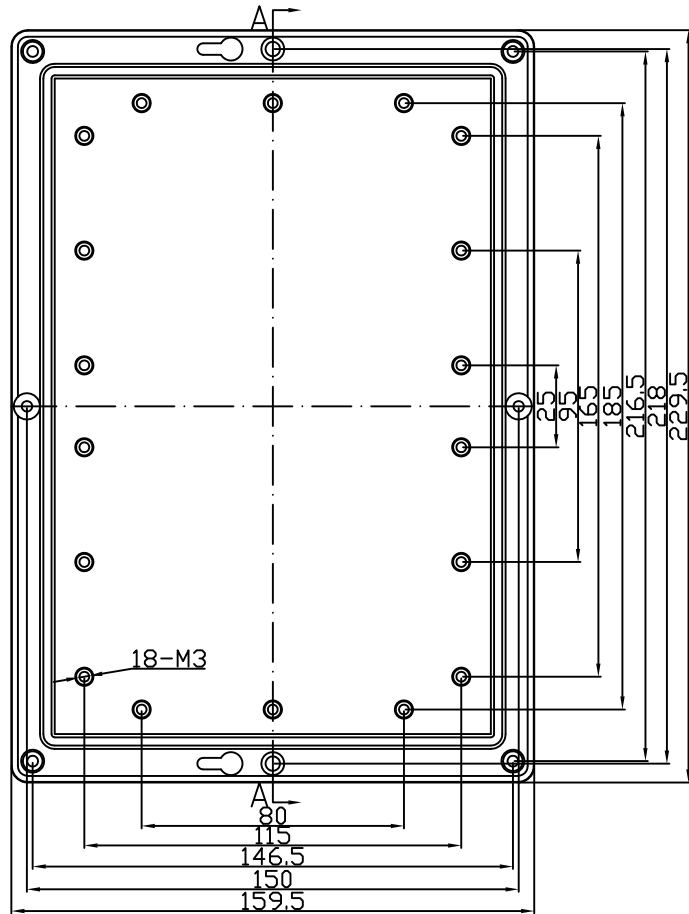


REVISION RECORD				
REV	ECD	DESCRIPTION	DRFT	CHKD



TOLERANCES EXCEPT AS NOTED		DRAWN	NAME	DATE	E:\new logo.jpg		EVEREST	
MM		Aaron		02/03/2015			WWW.EVERESTCASE.COM	
.0 ± 0.3	±	CHECKED					TITLE	
.00 ± 0.2	±	ENG APPR					PW049	
.000 ± 0.1	±	MATERIAL : ABS					DRAWING NO. PW049	
ANGLES ± 5°		QT'Y :					SIZE	
FIRST ANGLE PROJECTION		FINISH :					A4	
		SCALE : 1:1					REV	
		DO NOT SCALE DRAWING					SHEET 1 OF 1	