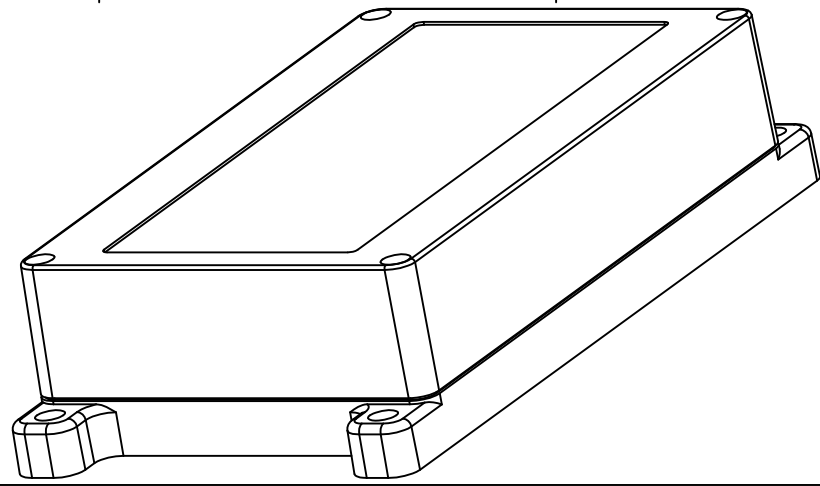
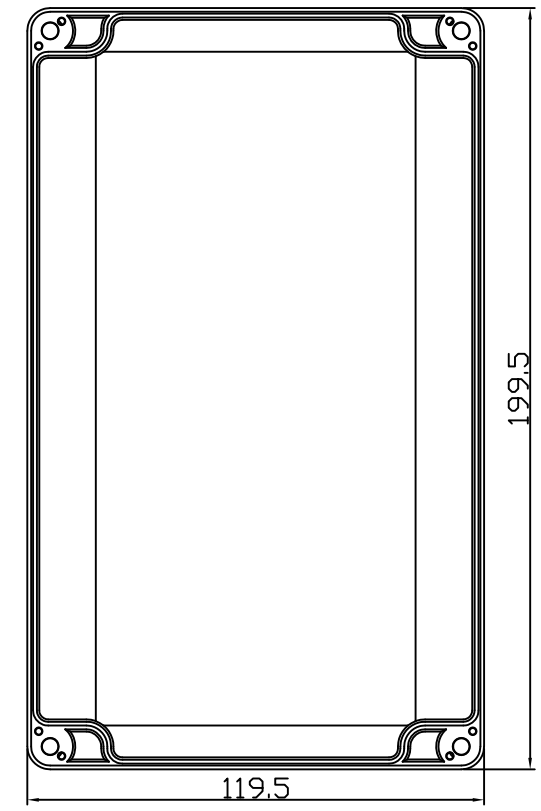
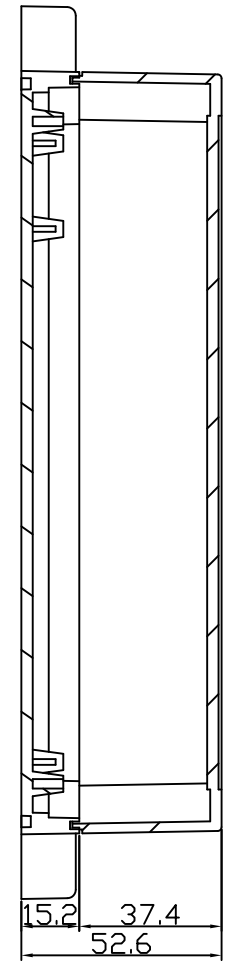
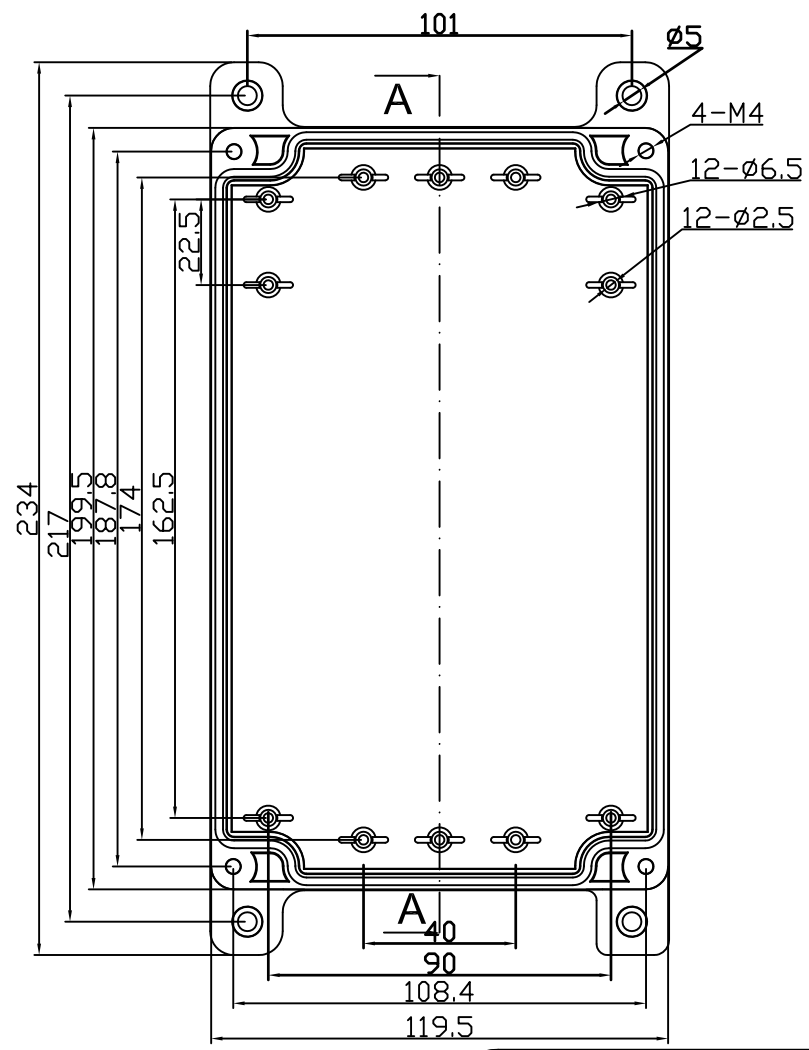


REVISION RECORD				
REV	ECD	DESCRIPTION	DRFT	CHKD



A-A

DETACHED LISTS			DRAWN	NAME	DATE		EVEREST WWW.EVERESTCASE.COM	
	TOLERANCES EXCEPT AS NOTED		CHECKED	Kelvin	01/21/2015			
	MM	±	ENG APPR.					
	.0 ± 0.3	±	MATERIAL : ABS		TITLE			
.00 ± 0.2	±	QT'Y :		PW058				
.000 ± 0.1	±	FINISH:		DRAWING NO. PW058		SIZE	REV	
ANGLES ± 5°		SCALE : 1:1		/PART NO. 00		A4		
		DO NOT SCALE DRAWING		SHEET 1		OF 1		