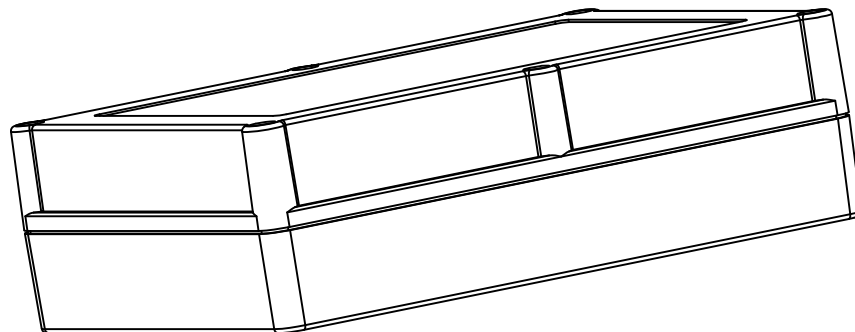
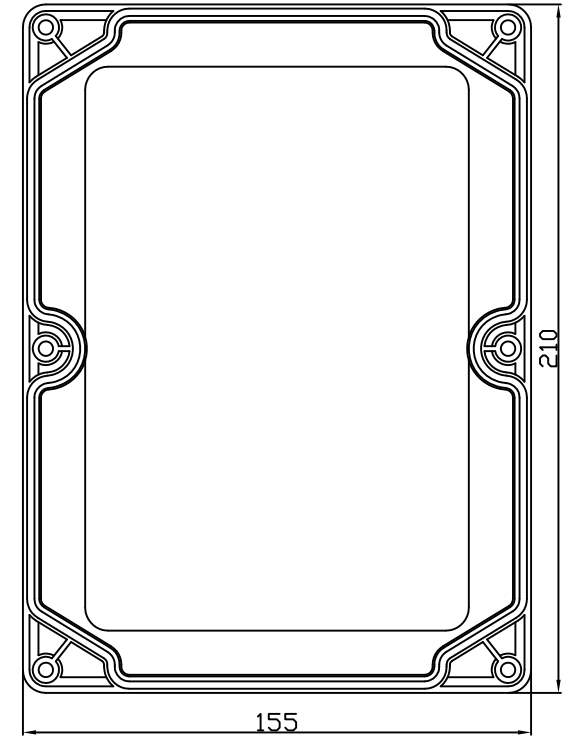
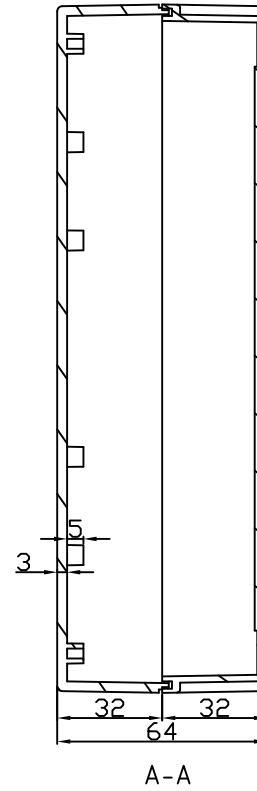
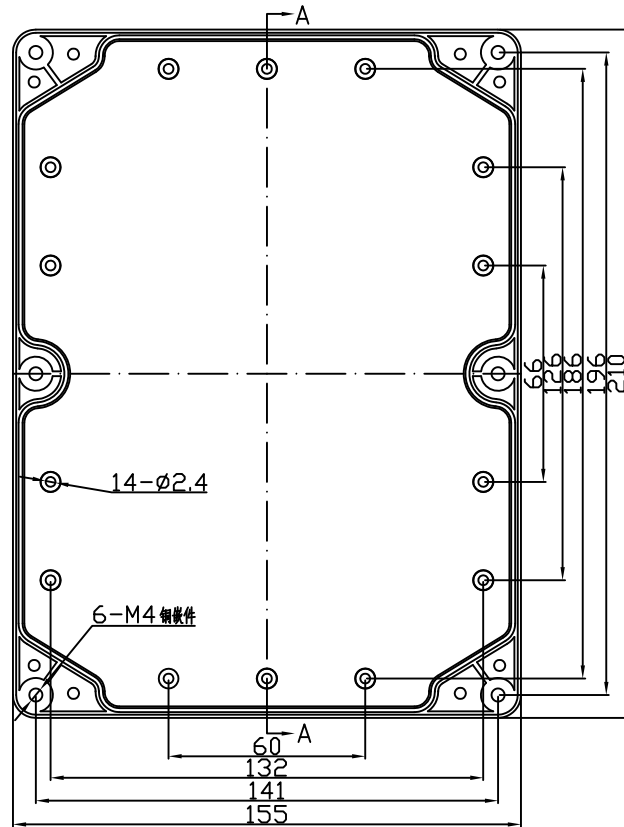


| REVISION RECORD |     |             |      |      |
|-----------------|-----|-------------|------|------|
| REV             | ECD | DESCRIPTION | DRFT | CHKD |
|                 |     |             |      |      |



|                        |                            |                |           |                      |            |   |                   |  |
|------------------------|----------------------------|----------------|-----------|----------------------|------------|---|-------------------|--|
| DETACHED LISTS         |                            |                | DRAWN     | NAME                 | DATE       | <br><b>EVEREST</b><br>WWW.EVERESTCASE.COM | TITLE             |  |
|                        | TOLERANCES EXCEPT AS NOTED |                | CHECKED   | Aaron                | 01/15/2015 |   | PW105             |  |
|                        | MM                         | ±              | ENG APPR. |                      |            |   | DRAWING NO. PW105 |  |
|                        | .0 ± 0.3                   | ±              |           |                      |            |   | /PART NO. 00      |  |
| .00 ± 0.2              | ±                          | MATERIAL : ABS |           | QT'Y :               |            | SIZE                                      | REV               |  |
| .000 ± 0.1             | ±                          | ANGLES ± 5°    |           | FINISH:              |            | A4  |                   |  |
| FIRST ANGLE PROJECTION |                            | SCALE : 1:1    |           | DO NOT SCALE DRAWING |            | SHEET 1                                   | OF 1              |  |