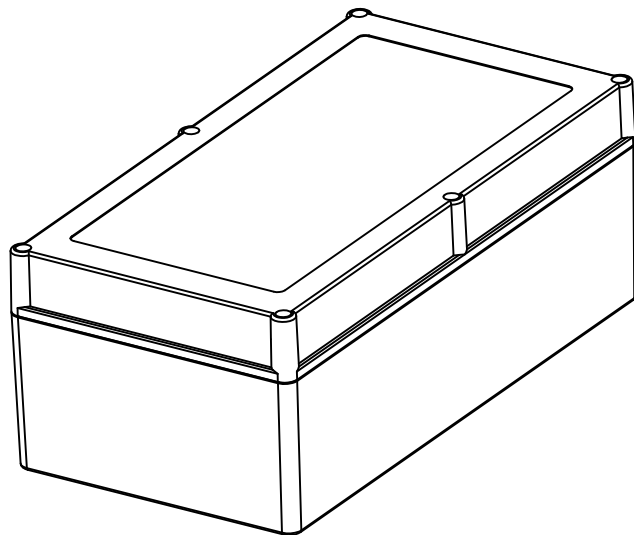
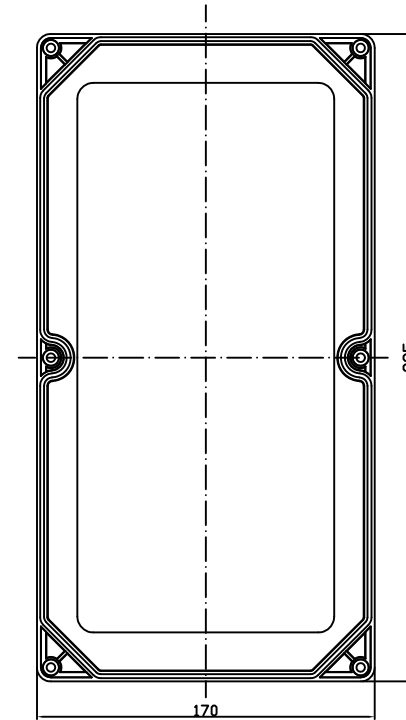
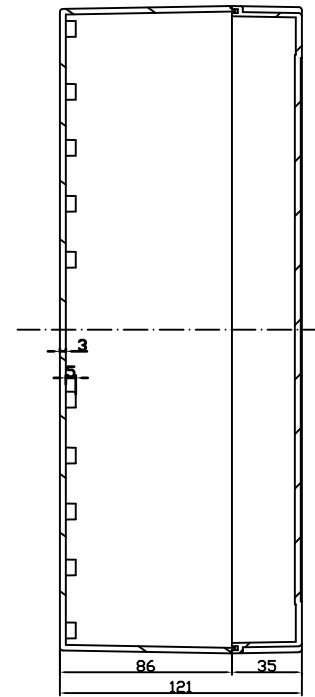
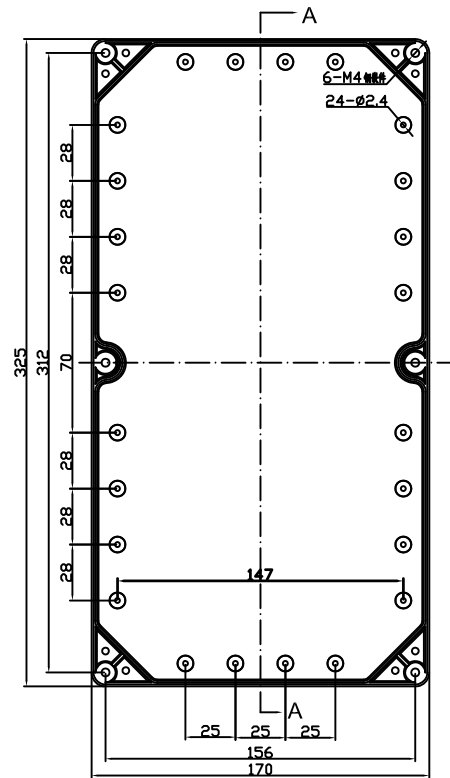


REVISION RECORD				
REV	ECD	DESCRIPTION	DRFT	CHKD



DETACHED LISTS	MM (INCH)	DRAWN	NAME	DATE	E:\new logo.jpg	EVEREST WWW.EVERESTCASE.COM
	TOLERANCES EXCEPT AS NOTED	Kelvin	01/15/2015			
	MM	CHECKED				
	.0 ± 0.3 .00 ± 0.2 000 ± 0.1	ENG APPR.				
ANGLES ± 5°	MATERIAL : ABS		TITLE		PW126	
FIRST ANGLE PROJECTION	QT'Y :	DRAWING NO. PW126		SIZE	REV	
	FINISH:	/PART NO. 00		A4		
	SCALE : 1:1	DO NOT SCALE DRAWING		SHEET 1	OF 1	